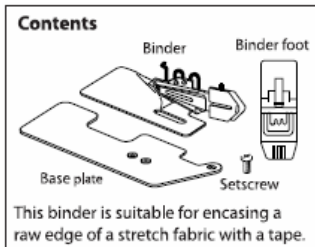


## ELNA 434 TAPE BINDER WIDE 42 – 12 mm (for 3 needles) ENGLISH



This binder is suitable for encasing a raw edge of a stretch fabric with a tape.

**WARNING:**

Turn the power switch off when attaching this binder.

**Note:**

*For sewing with a single needle, use the left needle.*

### 1. PREPARATION

Replace the presser foot with the binder foot.

Cut a 1-5/8" (4.2 cm) wide strip of the stretch fabric along the direction of stretch.

- (1) Direction of stretch
- (2) 1-5/8" (4.2 cm)



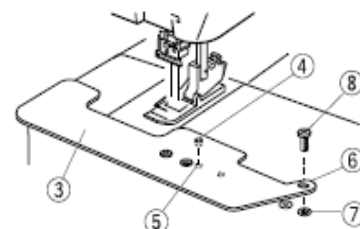
**Note:**

The finished width of the bound tape should be approximately 1/2" (1.2 cm).

### 2. SETTING THE BASE PLATE

Place the base plate on the machine, inserting the boss on the under side of the base plate into the left hole in the looper cover. Match the oval hole in the base plate with the right screw hole in the looper cover and fix the base plate with the setscrew.

- (3) Base plate
- (4) Boss
- (5) Left hole
- (6) Oval hole
- (7) Right screw hole
- (8) Setscrew



### 3. LOADING THE TAPE

- [1] Open the tape guide toward you.  
 (9) Tape guide

- [2] Insert the tape, with its wrong side facing you, through the tape guide as shown in Fig. 1.

**Note:**

For easier insertion, trim the end of the tape diagonally as shown in Fig. 2.

- (10) Wrong side of tape  
 (11) Diagonal cut

- [3] Insert the tape into the guide tube and pull the end of the tape with tweezers through the opening in the guide tube until the tape comes out.

- (12) Guide tube  
 (13) Opening  
 (14) Tweezers

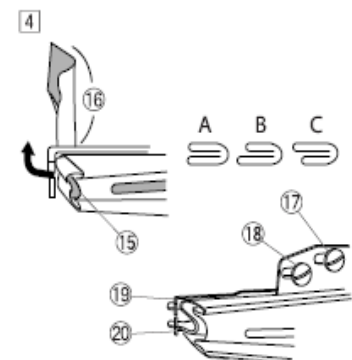
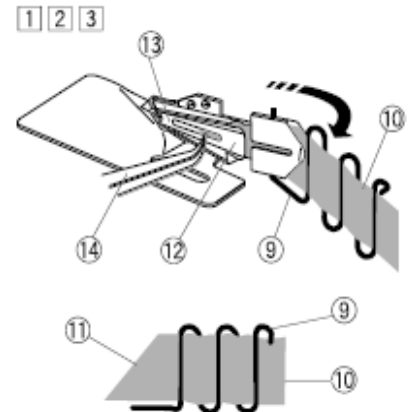
- [4] Pull 2" (5 cm) of the tape out from the muzzle of the tube and fold the tape over at a right angle.

- (15) Muzzle of the tube  
 (16) 2" (5 cm)

**Note:**

Sew to test if both edges of the tape are folded evenly as shown in Fig A. If the fold is uneven (refer to Fig. B or C), loosen the adjusting screw D and/or E then adjust the position of the upper and/or lower guide.

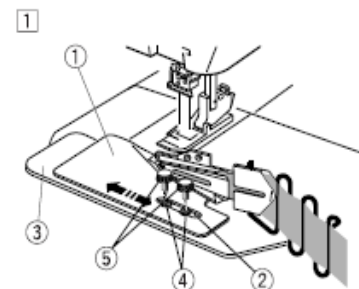
- (17) Adjusting screw D  
 (18) Adjusting screw E  
 (19) Upper guide  
 (20) Lower guide



### 4 ATTACHING THE BINDER

- [1] Place the binder on the base plate matching the screw holes with the slot in the binder and slightly tighten the two thumbscrews (included in the accessory of the Elna 434) so that you can still move the binder.

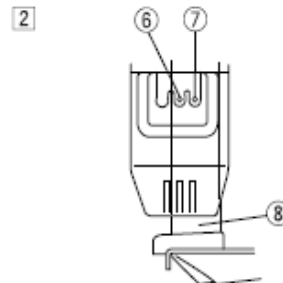
- (1) Binder  
 (2) Slot  
 (3) Set plate  
 (4) Screw holes  
 (5) Thumbscrews (included in the accessory of the Elna 434)



[2] Align the folded tape and the needles by sliding the binder to the left or right.

Tighten the two thumbscrews securely.

- (6) Center needle
- (7) Right needle
- (8) Folded tape



## 5 SEWING

Insert the edge of the garment fabric from the left, into the folds.

Lower the presser foot and start sewing slowly.

- (8) Fabric

### **Note:**

Sew on test fabric before sewing the actual garment.

Do not pull the tape or fabric while sewing.

